

4

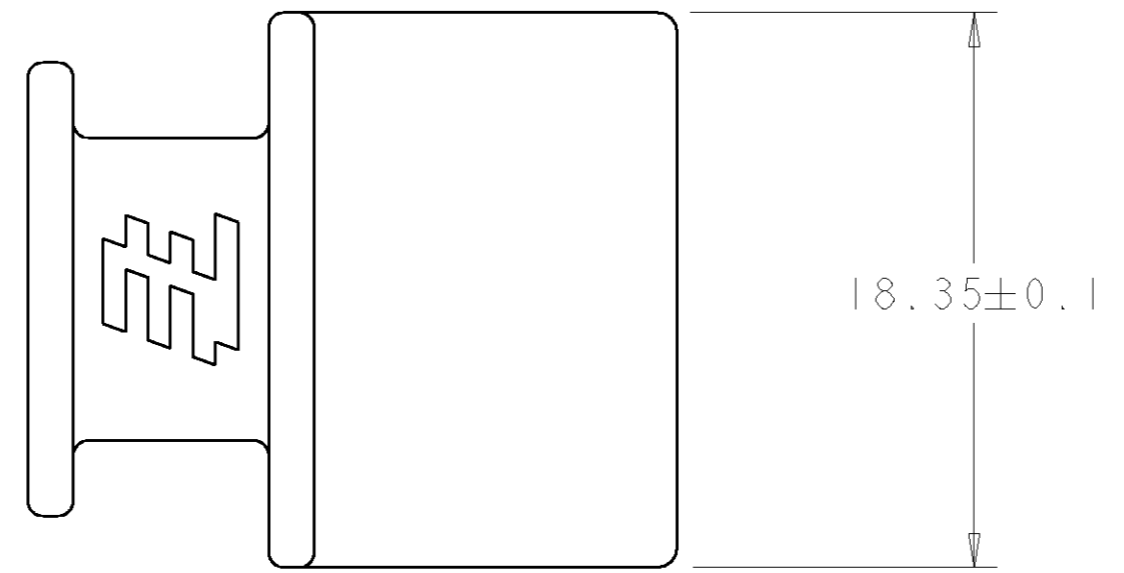
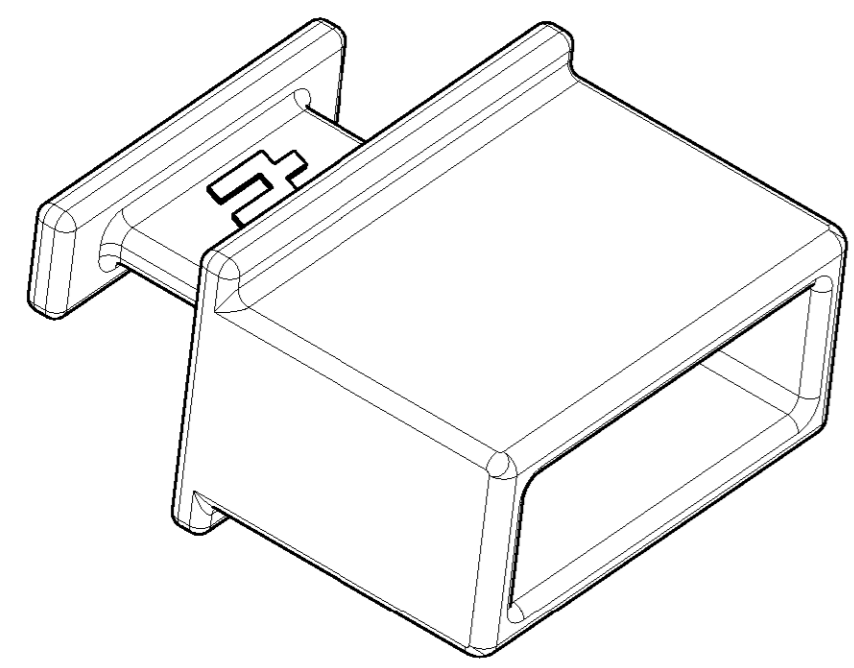
3

2

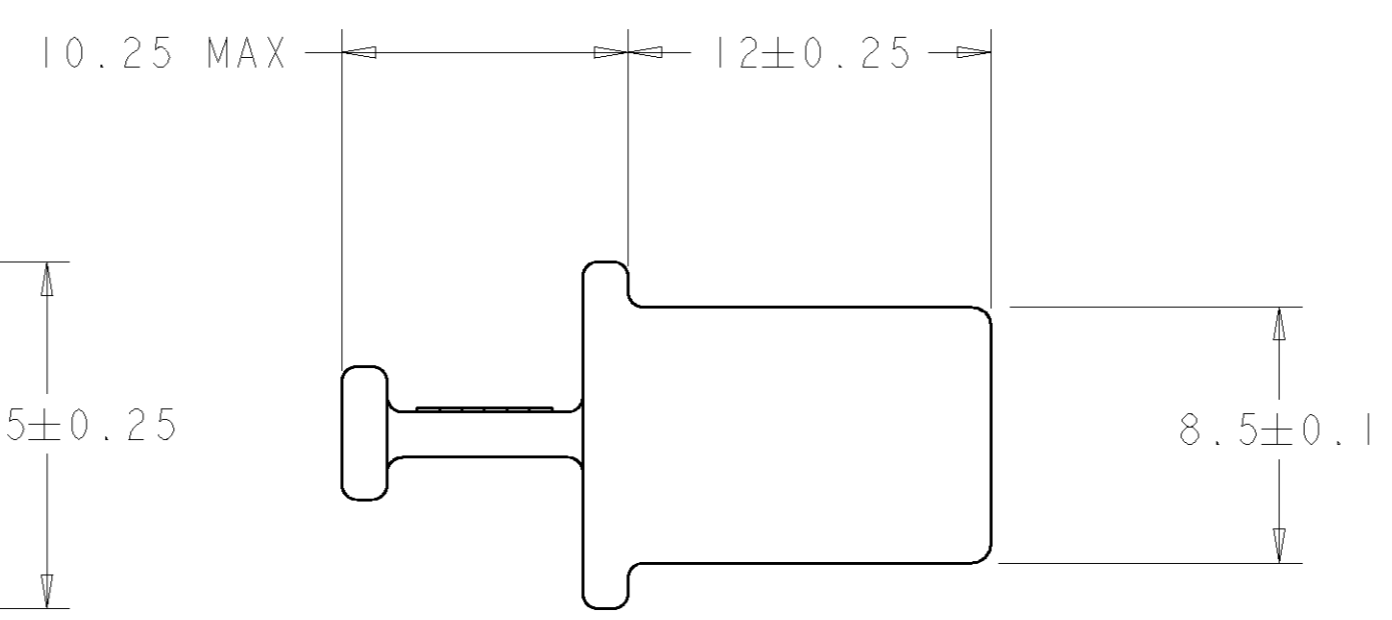
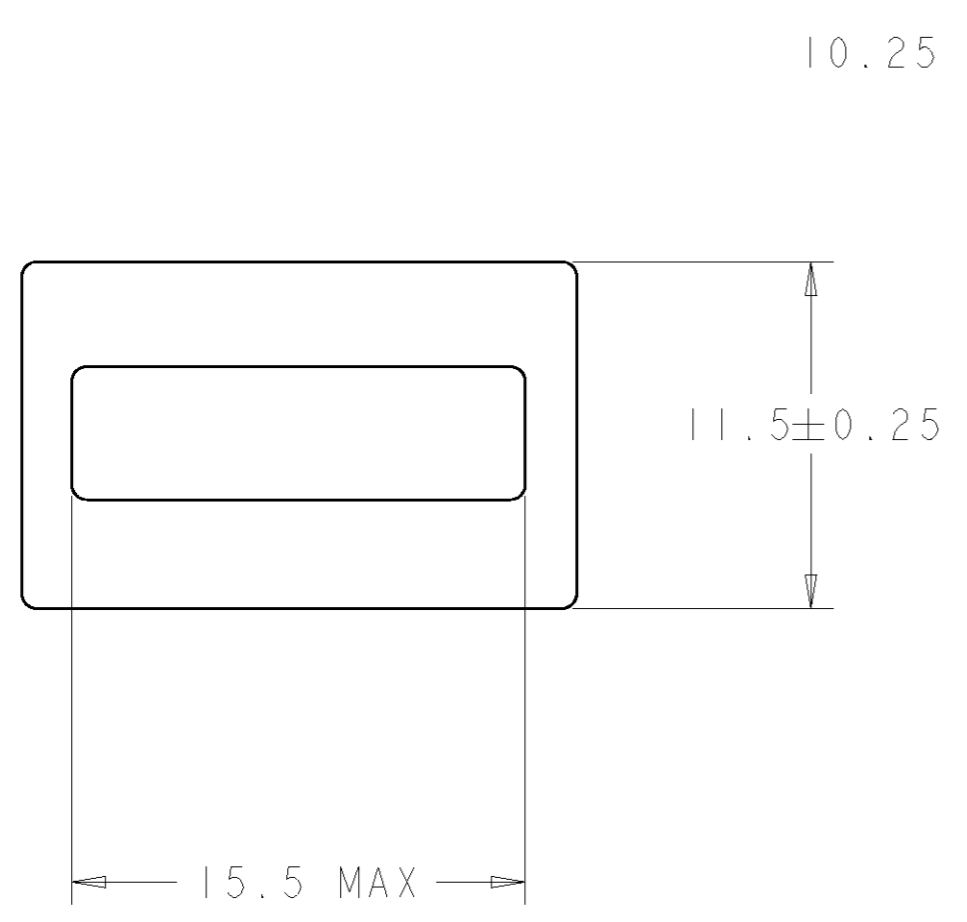
1

THIS DRAWING IS UNPUBLISHED. RELEASED FOR PUBLICATION 2007
 © COPYRIGHT 2007 BY TYCO ELECTRONICS CORPORATION. ALL RIGHTS RESERVED.

LOC	DIST	REVISIONS					
GP	00	P	LTR	DESCRIPTION	DATE	DWN	APVD
		5		ADDED TOTAL HEIGHT DIMENSION	01JUN2007	CJV	EB
		A		REVISED PER ECO-07-014997	27JUN07	JDP	JK



1 MATERIAL: ZINC ALLOY.
 2 FINISH: 1.27µm MIN NICKEL OVER 5.08µm MIN COPPER.



1888810-2
 PART NUMBER

<small>THIS DRAWING IS A CONTROLLED DOCUMENT FOR TYCO ELECTRONICS CORPORATION. IT IS SUBJECT TO CHANGE AND THE CONTROLLING ENGINEERING ORGANIZATION SHOULD BE CONTACTED FOR THE LATEST REVISION.</small>		DWN C. VALENTINE 24JAN2007 CHK E. BRIGHT 24JAN2007 APVD E. BRIGHT 24JAN2007	Tyco Electronics Tyco Electronics Harrisburg, PA 17105-3608
DIMENSIONS: mm 	TOLERANCES UNLESS OTHERWISE SPECIFIED: 0 PLC ± 1 PLC ±0.5 2 PLC ±0.13 3 PLC ±0.013 4 PLC ±0.0001 ANGLES ± FINISH	PRODUCT SPEC - APPLICATION SPEC - WEIGHT -	NAME EMI/DUST COVER, XFP AND QSFP SIZE A2 CAGE CODE 00779 DRAWING NO C-1888810 RESTRICTED TO -
MATERIAL	1	2	SCALE 4:1 SHEET 1 OF 1 REV A